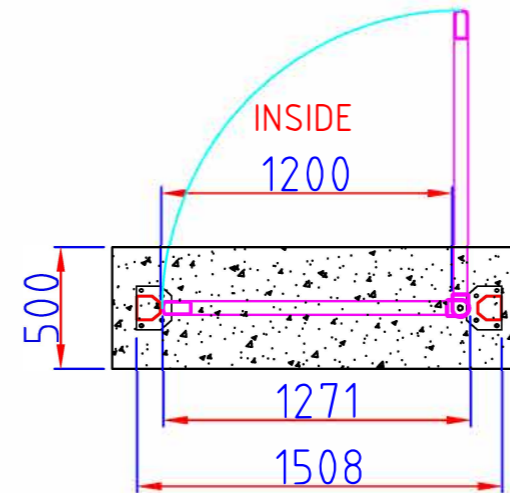
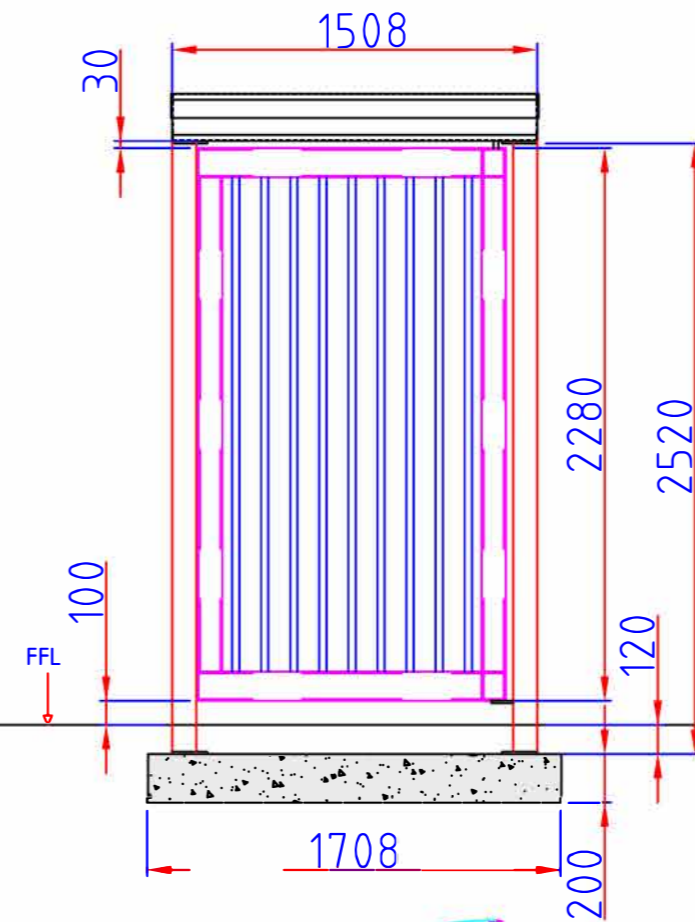


OUTSIDE
Cast-In Pedestrian Gate



OUTSIDE
Bolt Down Pedestrian Gate

GENERAL NOTES		
1.FOUNDATIONS MUST BE LEVEL/IN-LINE.		
2.IF IN DOUBT, PLEASE ASK!		
DIMENSIONS & SPECIFICATIONS		
FOUNDATIONS: RECOMMENDED CONCRETE: L = AS PER DRAWING H = 200mm. W = 500mm.		
POWER REQUIREMENTS		
BOLT INFORMATION		
OPTIONS		
1.	Revision 01	
No.	Revision/Issue	Date
1.2m Clear Opening 2.4m Height		
Fully Automated		
Dwg Number: Pedestrian Gate		Sheet 1.
Date:		