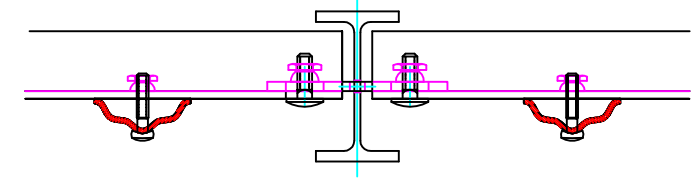
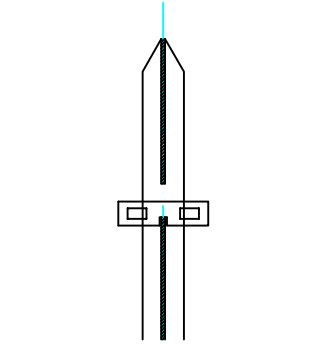
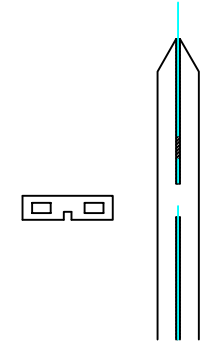
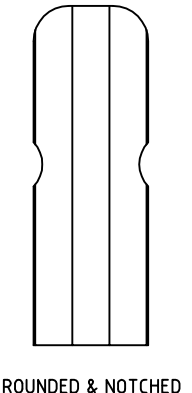
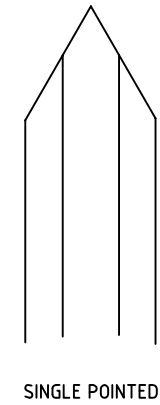
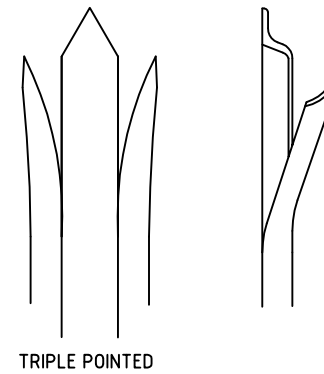
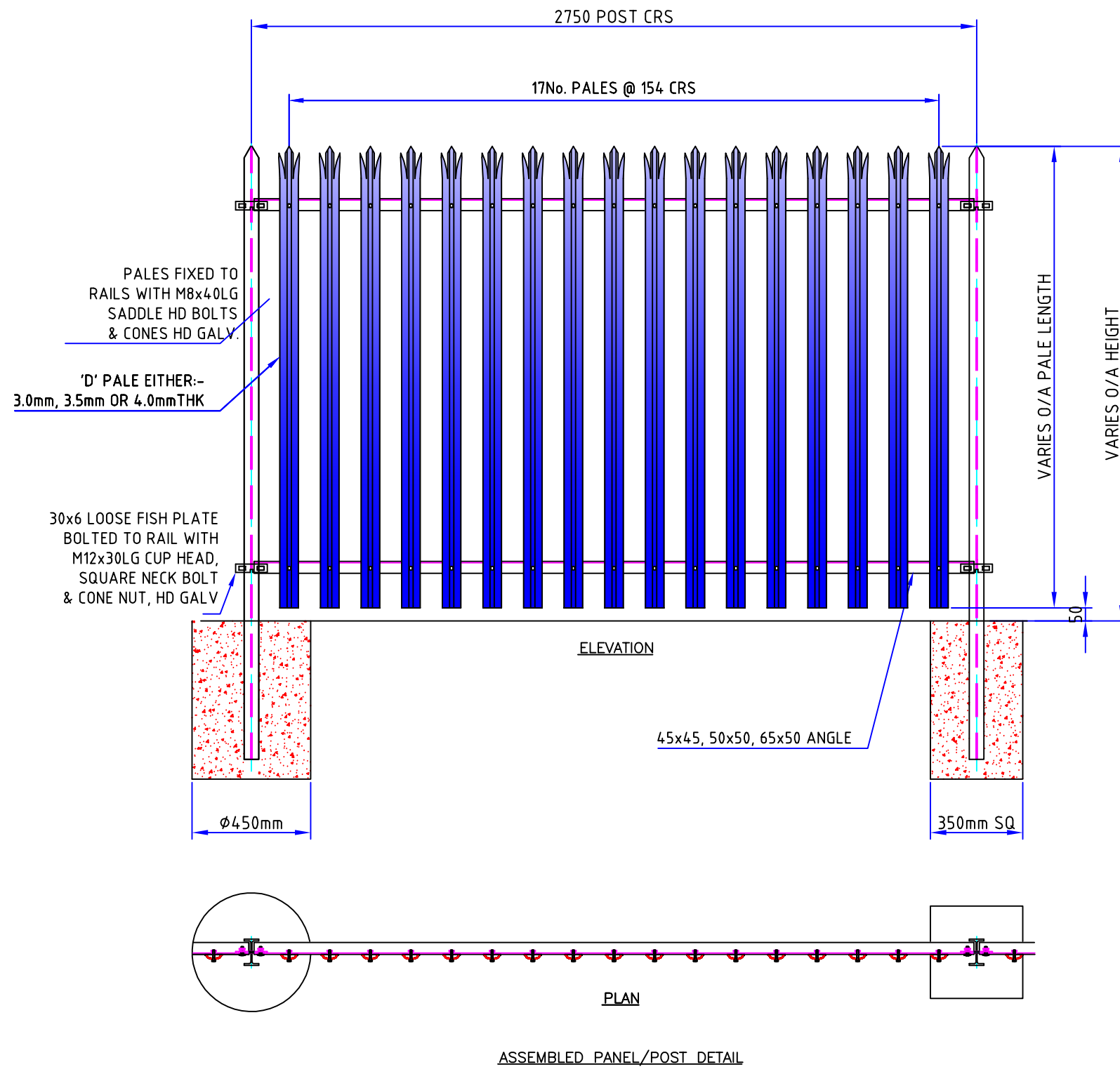


MUST BE READ IN-CONJUNCTION WITH WORKS INSTRUCTION SHEET

OF

IF IN DOUBT ASK



# 'D' PALE PALISADE FENCING

REVISIONS		
REV	DESCRIPTION OF CHANGE	DATE



Etna Works,  
Duke Street,  
Fenton,  
Stoke-on-Trent  
ST4 3NS  
Telephone- 01782 319 264  
E-MAIL-waynew@barkersfencing.com  
Web Site-barkersfencing.com

ALL DIMENSIONS IN MILLIMETRES UNLESS STATED OTHERWISE  
 UPTO - 1000mm +/- 1.0mm  
 OVER - 1000mm +/- 2.0mm  
 PLEASE NOTE THAT THIS ORDER WILL BE ACCEPTED BY US STRICTLY ON CONDITION THAT CONFORMITY TO ANY SPECIFICATION FOR THE GOODS OR MATERIALS, INCLUDING ANY RELEVANT PLANS OR DRAWINGS IS SUBJECT AT ALL TIMES TO THE APPLICABLE BRITISH STANDARD ROLLING DIMENSIONAL TOLERANCES (INCLUDING SIZE AND THICKNESS)  
 THE INFORMATION CONTAINED IN THIS DRAWING IS THE PROPERTY OF "BARKERS ENGINEERING LTD". COPYRIGHT IS RESERVED BY THEM AND THE CONTENT IS USED ON THE CONDITION THAT IT IS NOT COPIED, REPRODUCED, RETAINED OR DISCLOSED TO ANY UNAUTHORISED PERSON EITHER WHOLLY OR IN PART WITHOUT THE CONSENT IN WRITING OF "BARKERS ENGINEERING LTD".

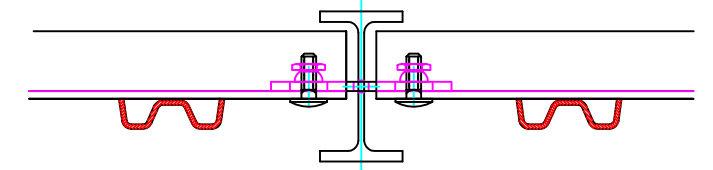
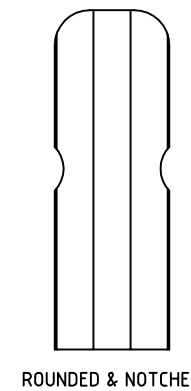
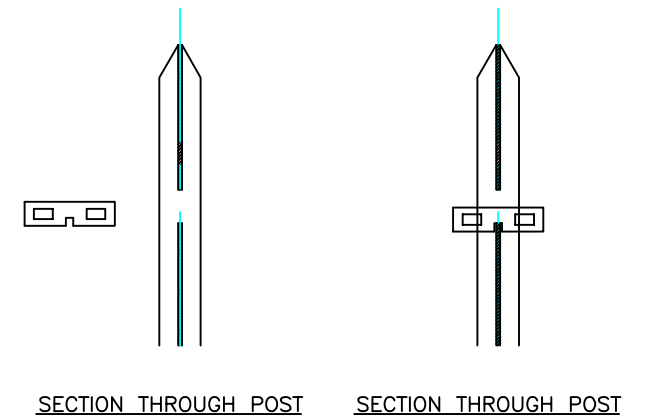
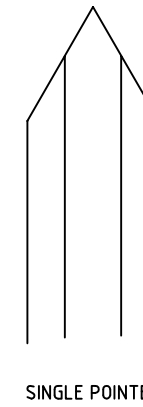
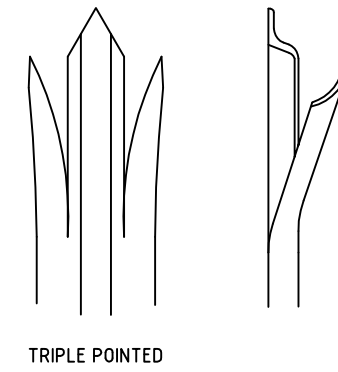
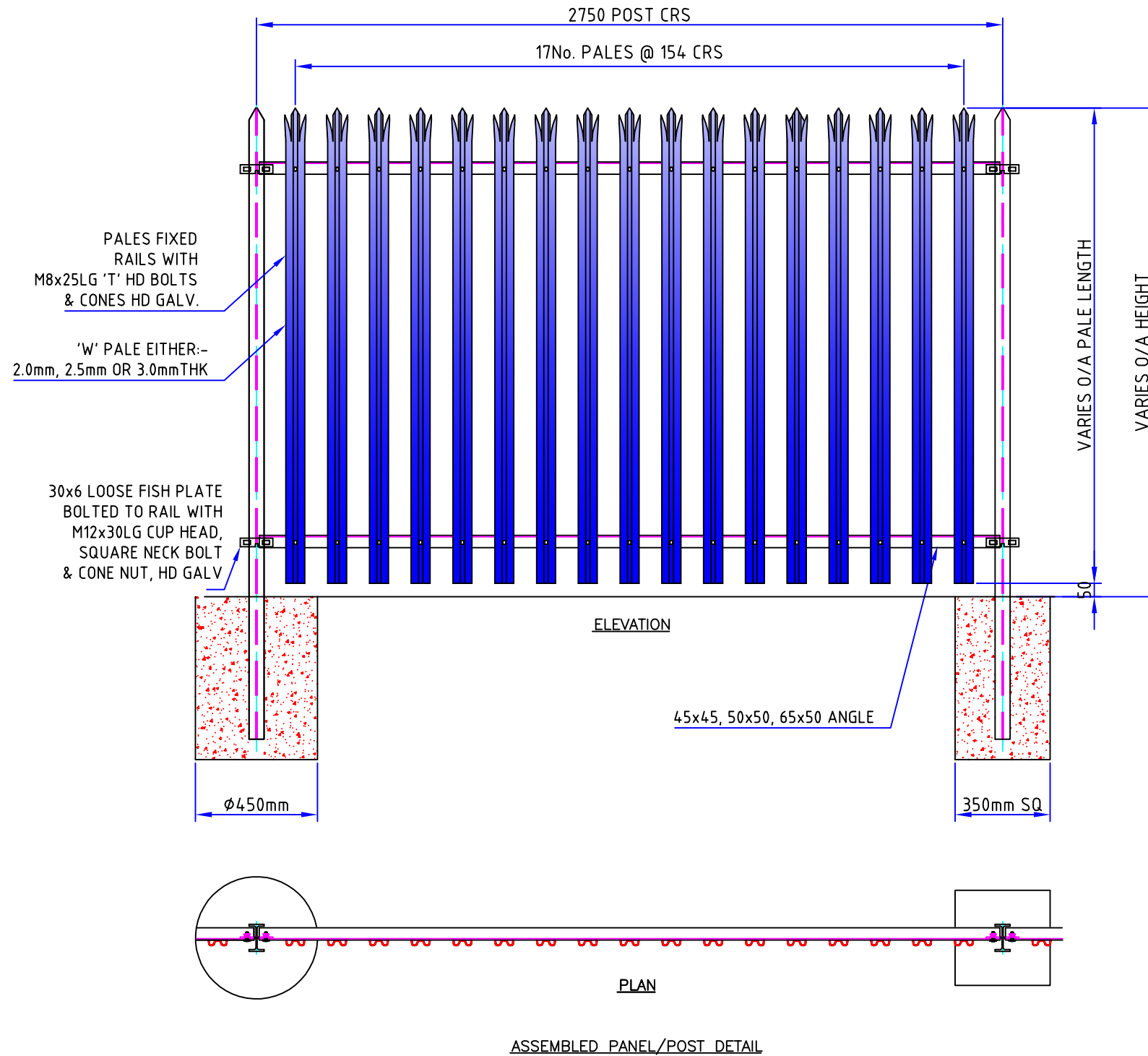
MATERIAL  
 MATERIAL GRADE: S 235  
 WELDING  
 ALL WELDS TO: BS 1722 Pt9  
 FINISH  
 POWDERCOAT TO: (RAL 0000)  
 GALVANIZED TO: BS EN 1461

TITLE TYPICAL DETAIL OF 1.8M HIGH 'D' PALISADE  
 45x45 ANGLE RAILS 100x55 DIG IN POSTS  
 CLIENT ORDER No  
 DRAWN BY LUKE SCALE DO NOT  
 CHECKED BY WAYNE REV DATE 18.06.19 CONTRACT No  
 DWG No

MUST BE READ IN-CONJUNCTION WITH WORKS INSTRUCTION SHEET

OF

IF IN DOUBT ASK



# 'W' PALE PALISADE FENCING

REVISIONS		
REV	DESCRIPTION OF CHANGE	DATE



Etna Works,  
Duke Street,  
Fenton,  
Stoke-on-Trent  
ST4 3NS  
Telephone- 01782 319 264  
E-MAIL-waynew@barkersfencing.com  
Web Site-barkersfencing.com

ALL DIMENSIONS IN MILLIMETRES UNLESS STATED OTHERWISE  
 UPTO - 1000mm +/- 1.0mm  
 OVER - 1000mm +/- 2.0mm  
 PLEASE NOTE THAT THIS ORDER WILL BE ACCEPTED BY US STRICTLY ON CONDITION THAT CONFORMITY TO ANY SPECIFICATION FOR THE GOODS OR MATERIALS, INCLUDING ANY RELEVANT PLANS OR DRAWINGS IS SUBJECT AT ALL TIMES TO THE APPLICABLE BRITISH STANDARD ROLLING DIMENSIONAL TOLERANCES (INCLUDING SIZE AND THICKNESS)  
 THE INFORMATION CONTAINED IN THIS DRAWING IS THE PROPERTY OF "BARKERS ENGINEERING LTD". COPYRIGHT IS RESERVED BY THEM AND THE CONTENT IS USED ON THE CONDITION THAT IT IS NOT COPIED, REPRODUCED, RETAINED OR DISCLOSED TO ANY UNAUTHORISED PERSON EITHER WHOLLY OR IN PART WITHOUT THE CONSENT IN WRITING OF "BARKERS ENGINEERING LTD".

MATERIAL  
 MATERIAL GRADE: S 235  
 WELDING  
 ALL WELDS TO: BS 1722 Pt9  
 FINISH  
 POWDERCOAT TO: (RAL 0000)  
 GALVANIZED TO: BS EN 1461

TITLE TYPICAL DETAIL OF 1.8M HIGH 'W' PALISADE R&N  
 45x45 ANGLE RAILS      100x55 DIG IN POSTS  
 CLIENT      ORDER No  
 DRAWN BY LUKE      SCALE DO NOT  
 CHECKED BY WAYNE      REV DATE 14.06.19      CONTRACT No      DWG No